

Data sheet

Commercial Art.No.: 25.352.3653.0

PCB pin header 8213 S / 6 W OB

PCB pin header, connection method depends on used socket part , 6 poles, pitch: 5.08 mm, type of packing: carton, color: grey



Certificates / Approvals



Technical data

General

| | |
|------------------------------------------|----------------|
| Modular spacing | 5.08 mm |
| Soldering process | Wave soldering |
| Packaging | Carton |
| Number of poles | 6 |
| Number of levels | 1 |
| Marking | No |
| Fastening | None |
| Mating direction towards (circuit) board | 180° |

Technical data

| | |
|--------------------------|--------|
| Rated current | 12 A |
| Overvoltage Category I | 1000 V |
| Overvoltage Category II | 400 V |
| Overvoltage Category III | 250 V |
| Rated impulse voltage | 4 kV |

Technical Data UL/CSA

| | |
|------------------------|-------|
| Voltage UL | 300 V |
| Current field wiring | 15 A |
| Current factory wiring | 15 A |
| Voltage CSA | 300 V |
| Current CSA | 15 A |

Other

| | |
|-----------------------------|---------------|
| Type of insulation material | Thermoplastic |
| Color | Grey |
| Height | 8.4 mm |
| Length | 31.88 mm |
| Depth | 12 mm |
| Material contact base | CuZn |
| Material contact surface | Sn |

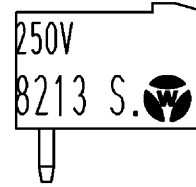
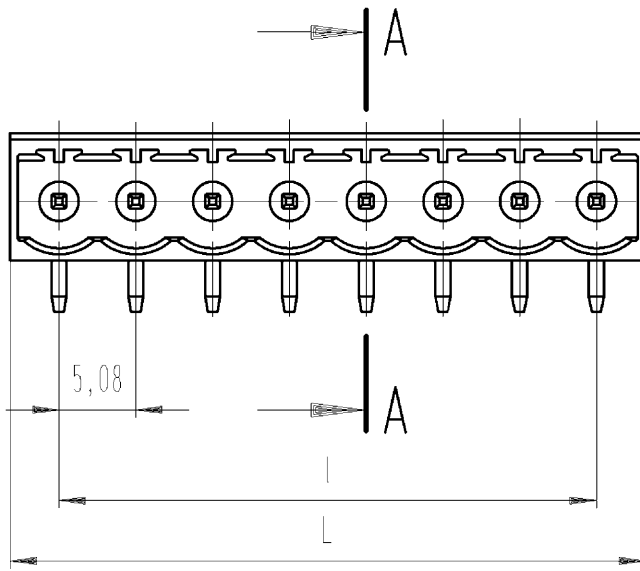
Classification

| | |
|------------|----------|
| ECLASS 11 | |
| ECLASS 8.1 | 27440402 |
| ETIM 7.0 | EC002637 |
| ETIM 6.0 | EC002637 |
| ETIM 5.0 | EC002637 |
| ETIM 4.0 | EC002637 |

Product compliance

| | |
|------------------------------|-----------|
| ROHS conformity status | Compliant |
| REACH-SVHC conformity status | Compliant |

These dimensions will be especially checked at delivery
 Only inspection dimensions
 With /E marked dimensions are only valid for internal use



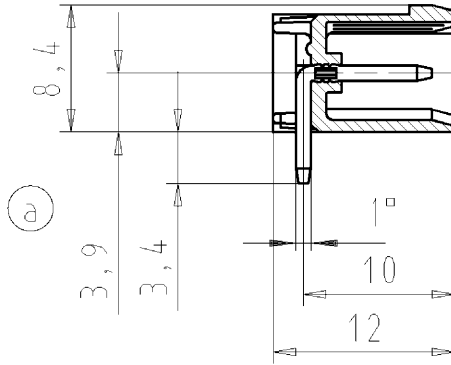
Weitergabe sowie Vervielfältigung dieses Dokuments, Verwertung und Mitteilung seines Inhalts sind verboten, soweit nicht ausdrücklich gestattet. Die Reproduktion, Distribution und Utilization of this document as well as the communication of its contents to others without authorization is prohibited.

Schnitt A-A
 section A-A

gezeichnete Ausführung 8-polig
 drawn version 8 poles

Weitere Daten siehe Katalog
 further data see catalog

Diese Maße werden bei Abnahme besonders geprüft
 Ausschließlich Prüfmaße
 Mit /E gekennzeichnete Maße sind nur für interne Zwecke gültig



| Farbe / colour | .F |
|-----------------|----|
| grau / grey | .0 |
| schwarz / black | .1 |
| grün / green | .7 |
| orange | .9 |

| Teile-Nr. part no. | Pol- zahl pole | L | l | Typ type | Teile-Nr. part no. | Pol- zahl pole | L | l | Typ type |
|-----------------------|----------------------|-------|-------|---------------|-----------------------|----------------------|--------|--------|---------------|
| 25.352.3253.F | 2 | 11,56 | 5,08 | 8213S / 2W OB | 25.352.4353.F | 13 | 67,44 | 60,96 | 8213S /13W OB |
| 25.352.3353.F | 3 | 16,64 | 10,16 | 8213S / 3W OB | 25.352.4453.F | 14 | 72,52 | 66,04 | 8213S /14W OB |
| 25.352.3453.F | 4 | 21,72 | 15,24 | 8213S / 4W OB | 25.352.4553.F | 15 | 77,60 | 71,12 | 8213S /15W OB |
| 25.352.3553.F | 5 | 26,80 | 20,32 | 8213S / 5W OB | 25.352.4653.F | 16 | 82,68 | 76,20 | 8213S /16W OB |
| 25.352.3653.F | 6 | 31,88 | 25,40 | 8213S / 6W OB | 25.352.4753.F | 17 | 87,76 | 81,28 | 8213S /17W OB |
| 25.352.3753.F | 7 | 36,96 | 30,48 | 8213S / 7W OB | 25.352.4853.F | 18 | 92,84 | 86,36 | 8213S /18W OB |
| 25.352.3853.F | 8 | 42,04 | 35,56 | 8213S / 8W OB | 25.352.4953.F | 19 | 97,92 | 91,44 | 8213S /19W OB |
| 25.352.3953.F | 9 | 47,12 | 40,64 | 8213S / 9W OB | 25.352.5053.F | 20 | 103,00 | 96,52 | 8213S /20W OB |
| 25.352.4053.F | 10 | 52,20 | 45,72 | 8213S /10W OB | 25.352.5153.F | 21 | 108,08 | 101,60 | 8213S /21W OB |
| 25.352.4153.F | 11 | 57,28 | 50,80 | 8213S /11W OB | 25.352.5253.F | 22 | 113,16 | 106,68 | 8213S /22W OB |
| 25.352.4253.F | 12 | 62,36 | 55,88 | 8213S /12W OB | 25.352.5353.F | 23 | 118,24 | 111,76 | 8213S /23W OB |
| | | | | | 25.352.5453.F | 24 | 123,32 | 116,84 | 8213S /24W OB |

Zulässige Abweichungen nach DIN 7167/Permissible deviations acc. to DIN 7167.
 (This DIN-standard describes the envelope principle. According to the envelope principle the deviations of form and parallelism are limited by the size tolerances).

ja/yes Stoffverbots- und Deklarationsliste nach UU-TQM-05/03 ist einzuhalten.
 Conformity with Wieland document UU-TQM-05/03 (list of prohibited / declarable hazardous substances) to be declared!

Freitoleranz nach General tolerance CAD - Zeichnung, keine manuellen Änderungen CAD - drawing, no manual modifications allowed I.Verwendung: First Use: Blatt: 1 von 1 Sheet: of 1

| | | | | | |
|--------------------|----------------------------|----------|------------|---------------------------------|-------|
| Werkstoff/Material | 2005 | Tag/Date | Name | Zeichnung Nr./Drawing No. | Index |
| | gezeichnet drawn | 28.07. | Schnitt J. | T 25.352.3253.0 01K | a |
| | geprüft checked | - | - | Maße in mm/Dimensions are in mm | |
| | Normgepr. Stand., check | - | - | | |

| | | | | |
|------|-----|------------|-----|-------------------------------|
| Vol. | mm³ | Dfl./Surf. | mm² | Ersatz für/Replacement for: - |
| | | | | Type |
| | | | | Benennung/Tittle |
| | | | | LP_GEHAEUSESTIFTLEISTE |
| | | | | Rastermaß 5,08 / pitch 5,08 |
| | | | | PCB header |